



Head Office: Asian Paints Limited, Asian Paints House,  
6A, Shantinagar, Santacruz (E), Mumbai - 400055, India,  
Tel: +91 22 6218 1000, Fax: +91 22 6218 1111

**Bathsense by Asian Paints**  
**Marketed by:** Asian Paints Ltd., 6A, Shantinagar, Santacruz (E), Mumbai - 400 055.  
**Bathsense Sanitaryware Collection Catalogue** Code: **HIMBSCTSWA01**  
**MRP:** (Incl. of all taxes) **₹400/-** Packed Dt: **04/2020** Nett Qty: **1N**  
For feedback or complaints write to Manager - Services at the above mentioned Asian Paints Ltd address or call on 1800-2662079 or email to bathsolutions@asianpaints.com



**bathsense**  
ap asianpaints  
Bathrooms that understand you

An organised bathroom is  
a beautiful bathroom.

Introducing bathroom vanities from Bathsense.



Every good looking and charming bathroom you see has one thing in common. They are all extremely neat and well organised. It's the truly organised and uncluttered bathrooms that induce a sense of happiness each time you enter. And in order to keep a bathroom looking great at all times, a beautifully designed vanity plays a very important role.

Bathsense Vanities are uniquely designed and come with the trust and reliability of Asian Paints. With its high quality wood and supremely elegant colour options, it not only optimises space but also ensures a beautiful looking bathroom at all times.

# What makes vanities from Bathsense unique?

Vanities equipped with modern and superior technologies.



Ergonomically designed



Wall Mounted &  
Floor Mounted options



Optimises bathroom space



Soft-close doors



Supremely elegant  
colour tone options



Simple and quick installation



Products made in HDHMR -  
High Density High Moisture  
Resistance



Unmatched warranty on drawer  
system, HDHMR and hinges

**Sleazk** by **dp** asianpaints  
KITCHEN COMPONENTS

**TuffSmart.**

**TESA**<sup>action</sup>  
**HDHMR**<sup>®</sup>  
HIGH DENSITY HIGH MOISTURE RESISTANCE



## Floor-Mounted Vanities

Firmly placed on the floor, these cabinets lend themselves to aesthetics. Since they are directly installed onto the floor they also feel more solid - a good thing in case you have children or old parents.



# Floor-Mounted Product Range

Module 1 - 24"



Valencia Ash  
VFM124A

**MRP: ₹20000**

470(L) x 610(W) x 800(H)



Champagne  
VFM124B

**MRP: ₹20000**

470(L) x 610(W) x 800(H)



Wood & Solid  
VFM124C

**MRP: ₹20000**

470(L) x 610(W) x 800(H)

## Key Features



Pre-drilled cabinet for quick & easy installation



Carpenter free/DIY/User installation to save time & money



Water resistant material for prolonged performance



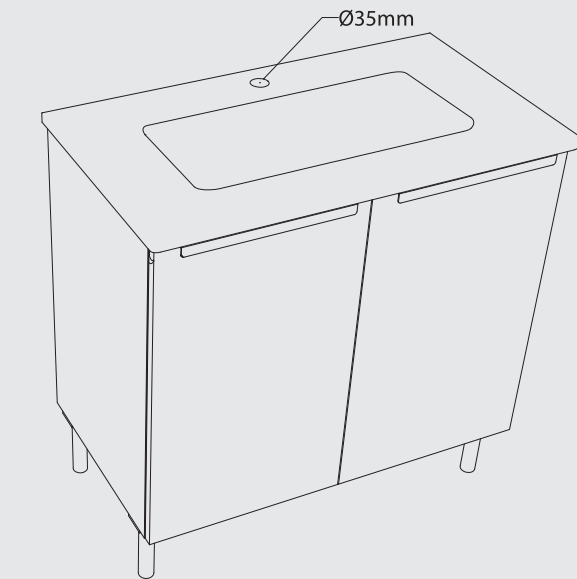
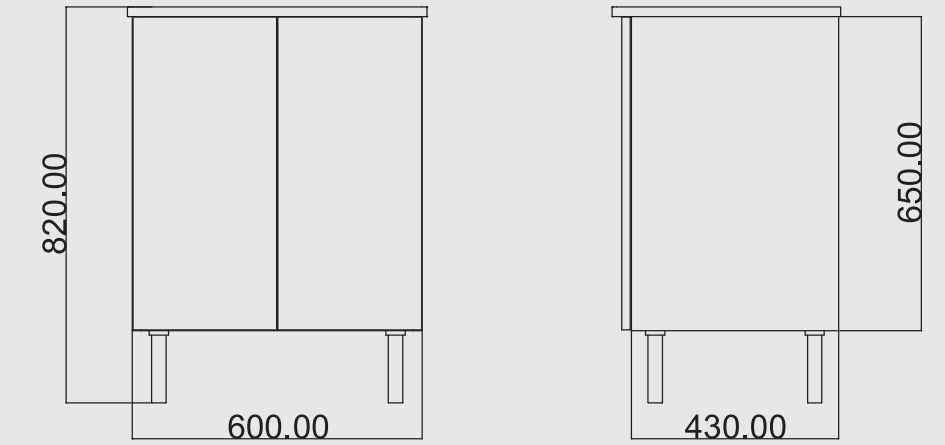
SS 304 hinges for prolonged usability



Rust proof aluminium legs with height adjustment for better durability and flexibility



Antibacterial basin for a clean hygienic bathroom



# Product View



# Compatible Products



ALBM101



BABM101



OC-21-X

# Floor-Mounted Product Range

Module 1 - 32"



Valencia Ash  
VFM132A

**MRP: ₹ 22000**

470(L) x 800(W) x 800(H)



Champagne  
VFM132B

**MRP: ₹ 22000**

470(L) x 800(W) x 800(H)

## Key Features



Pre-drilled cabinet for quick & easy installation



Carpenter free/DIY/User installation to save time & money



Water resistant material for prolonged performance



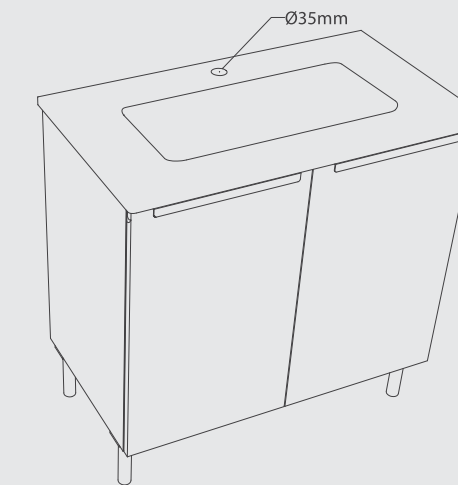
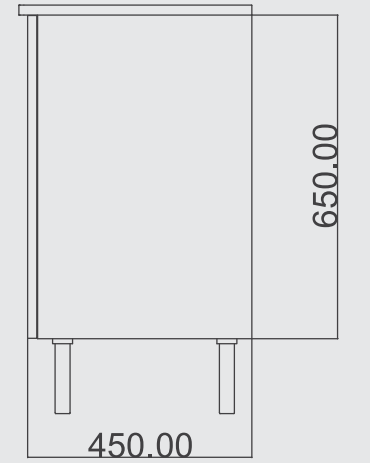
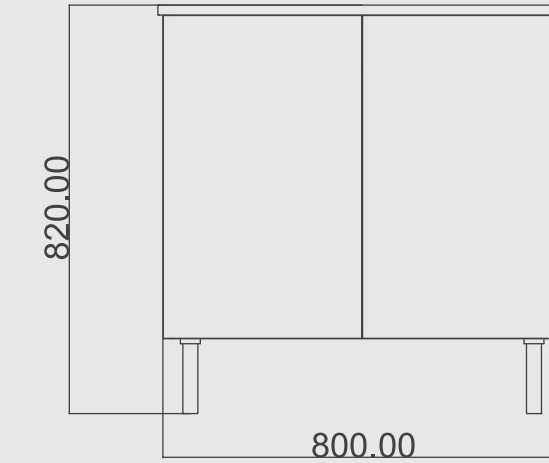
SS 304 hinges for prolonged usability



Rust proof aluminium legs with height adjustment for better durability and flexibility



Antibacterial basin for a clean hygienic bathroom



# Product View



# Compatible Products



ALBM101



AHBM101



OC-22-X



# Floor-Mounted Product Range

## Module 2 - 24"



Valencia Ash  
VFM224A  
MRP: ₹ 25000

470(L) x 610(W) x 700(H)



Champagne  
VFM224B  
MRP: ₹ 25000

470(L) x 610(W) x 700(H)



Wood & Solid  
VFM224C  
MRP: ₹ 25000

470(L) x 610(W) x 700(H)

## Key Features



Pre-drilled cabinet for quick & easy installation



Carpenter free/DIY/User installation to save time & money



Water resistant material for prolonged performance



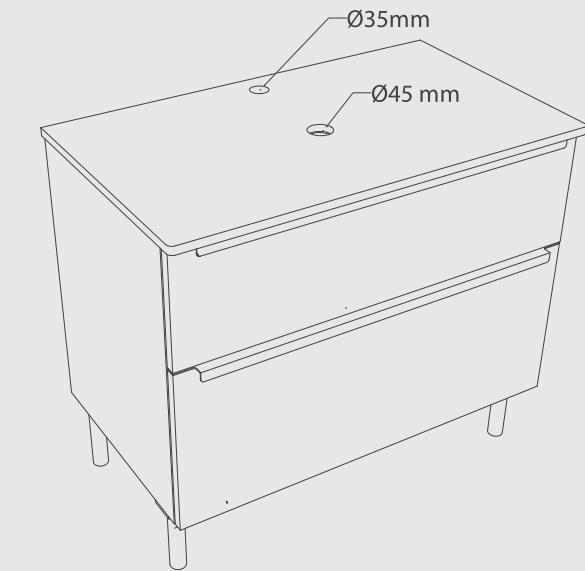
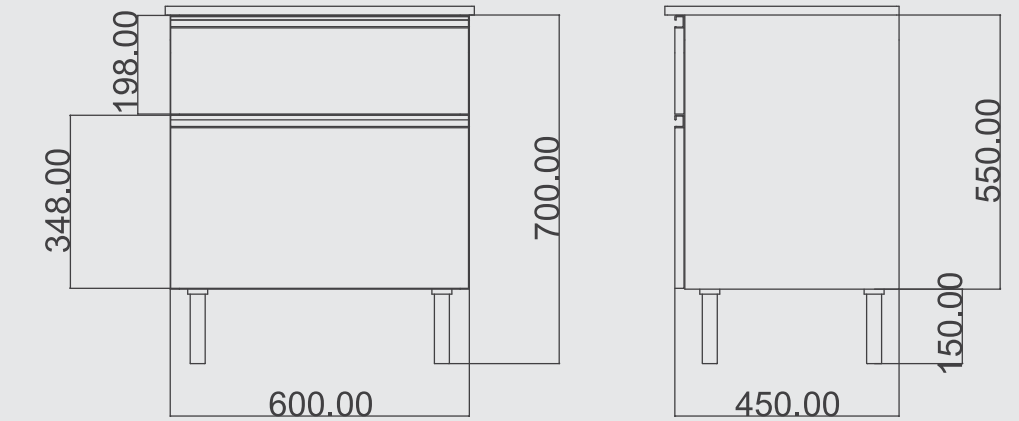
SS 304 hinges for prolonged usability



Rust proof aluminium legs with height adjustment for better durability and flexibility



Slimmest drawer system for more usable space



# Product View



Ultra slim décor with 1.2mm thickness



Longer durability, tested for 50,000 life-cycles



Synchronized under mount runner



## Compatible Products



MYBM102



SRBM102



TT-31-X



TT-25-X

# Floor-Mounted Product Range

Module 2 - 32"



Valencia Ash  
VFM232A

**MRP: ₹ 28500**

470(L) x 800(W) x 700(H)



Champagne  
VFM232B

**MRP: ₹ 28500**

470(L) x 800(W) x 700(H)

## Key Features



Pre-drilled cabinet for quick & easy installation



Carpenter free/DIY/User installation to save time & money



Water resistant material for prolonged performance



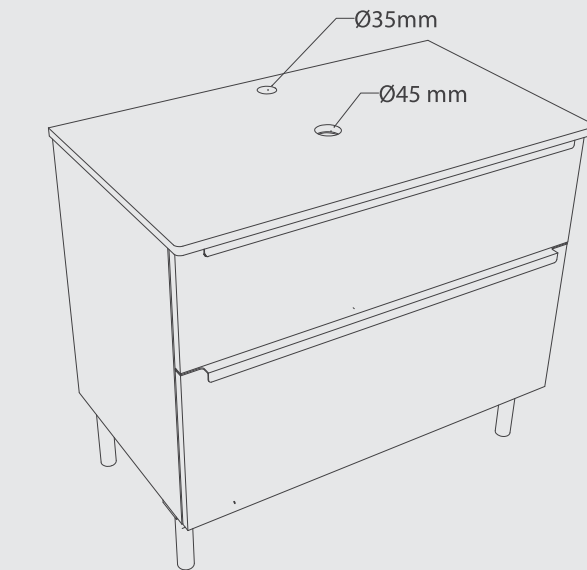
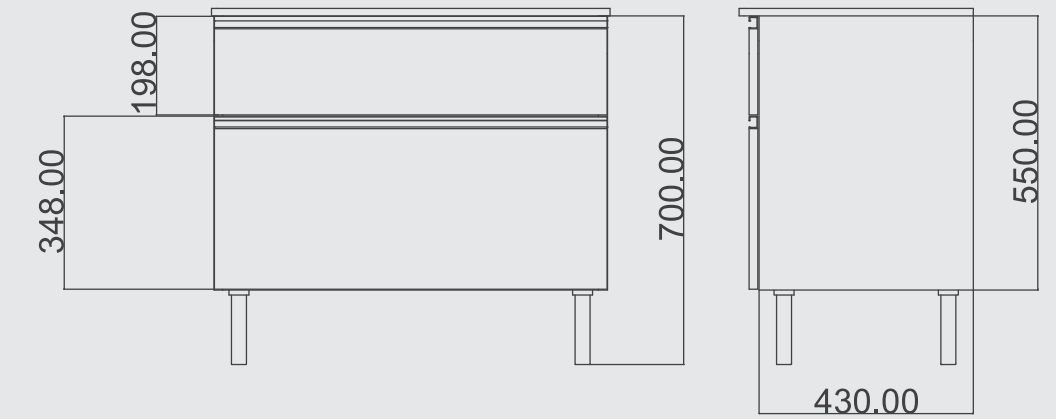
SS 304 hinges for prolonged usability



Rust proof aluminium legs with height adjustment for better durability and flexibility



Slimmest drawer system for more usable space



# Product View



Ultra slim décor with 1.2mm thickness



Longer durability, tested for 50,000 life-cycles



Synchronized under mount runner



## Compatible Products



ALBM102



BABM102



TT-24-X



TT-44-X



# Wall-Mounted Vanities

For a modern contemporary style and a minimalist look, Wall-Mounted Vanities are perfect. Since they don't have a base or legs, they generally occupy less space, leaving your bathroom look more spacious.



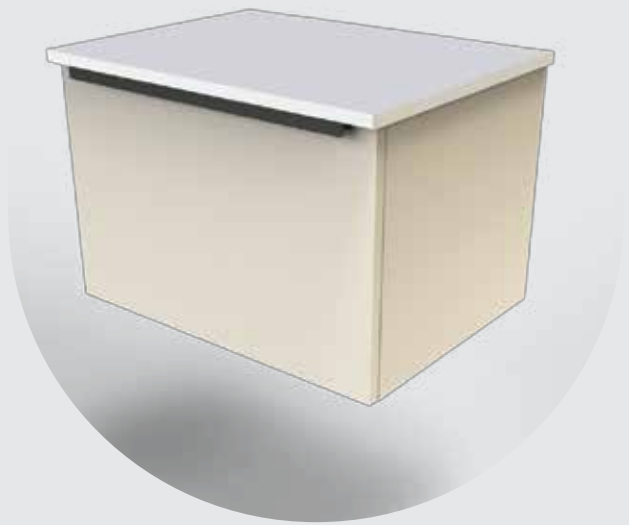
# Wall-Mounted Product Range

## Module 3 - 24"



Valencia Ash  
VWM324A  
MRP: ₹18000

470(L) x 600(W) x 400(H)



Champagne  
VWM324B  
MRP: ₹18000

470(L) x 600(W) x 400(H)



Wood & Solid  
VWM324C  
MRP: ₹18000

470(L) x 600(W) x 400(H)

## Key Features



Pre-drilled cabinet for quick & easy installation



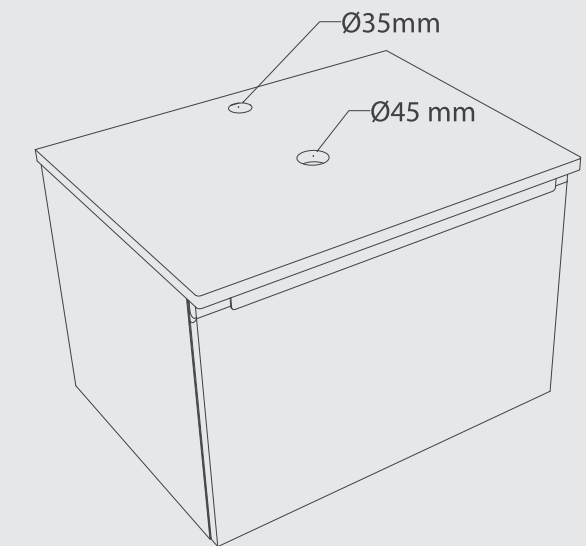
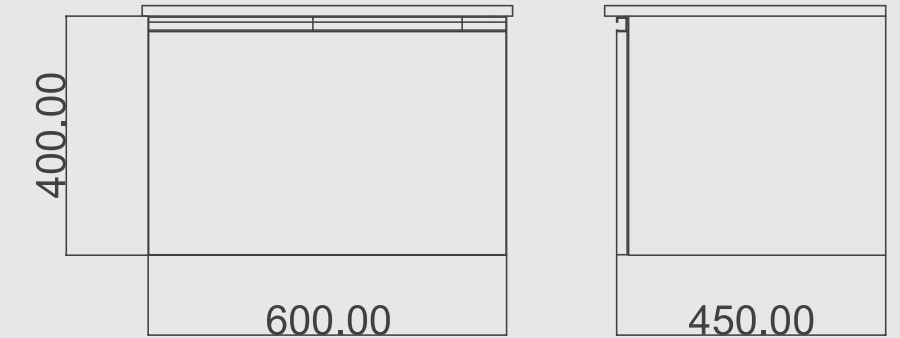
Water resistant material for prolonged performance



SS 304 hinges for prolonged usability



Smooth & Stylish TuffSmart drawer systems



# Product View



## Compatible Products



OBBM102



MYBM102



TT-25-X



TT-31-X

# Wall-Mounted Product Range

Module 4 - 32"



Valencia Ash  
VWM432A

**MRP: ₹ 26000**

470(L) x 790(W) x 400(H)



Champagne  
VWM432B

**MRP: ₹ 26000**

470(L) x 790(W) x 400(H)

## Key Features



Pre-drilled cabinet for quick & easy installation



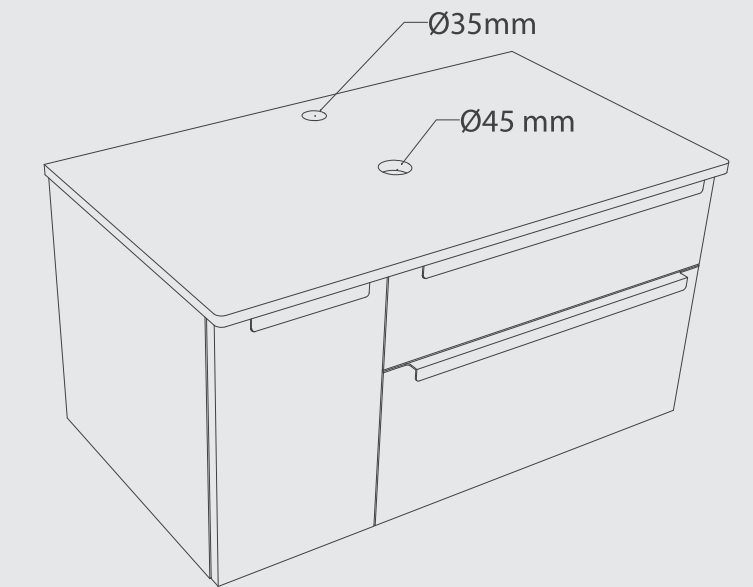
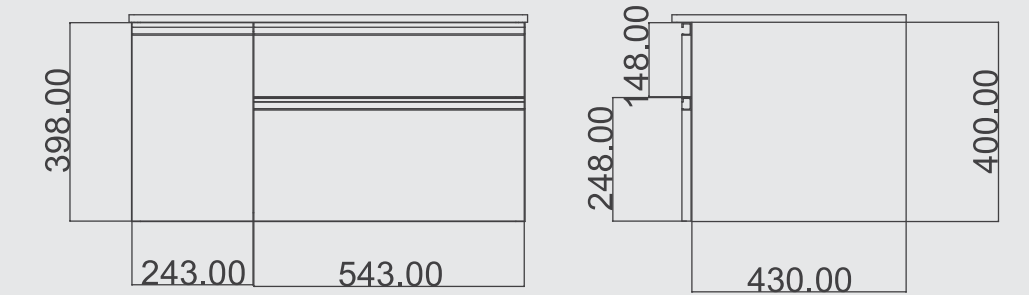
Water resistant material for prolonged performance



SS 304 hinges for prolonged usability



Smooth & Stylish TuffSmart drawer systems





# Product View



Ultra slim décor with 1.2mm thickness



Longer durability, tested for 50,000 life-cycles



Synchronized under mount runner



## Compatible Products



TWBM102



MYBM102



TT-24-X



TT-44-X

# Warranty

Products	Residential Use	Commercial Use
Vanity Cabinets	2 years	1 year
Vanity Hardware Components	5 years	3 years

## Terms and Conditions:-

1. The above warranty applies to manufacturing defects in the cabinets affecting the functionality of the product
2. 5 year Functional Warranty on Hardware (Hinges, Drawer systems) ; Rusting of hardware components not covered under warranty
3. This warranty does not cover problems arising from external conditions including but not limited to termites, pests, chipping or damage due to impact, damage due to hard water, scale build-up, leaks in supply or discharge pipes; insufficient ventilation or abnormal heat source; or deterioration resulting from foreign matter. The life of the product will be adversely affected by absorption of water. Please wipe off any water/liquid that may have accumulated on the cabinets, immediately.